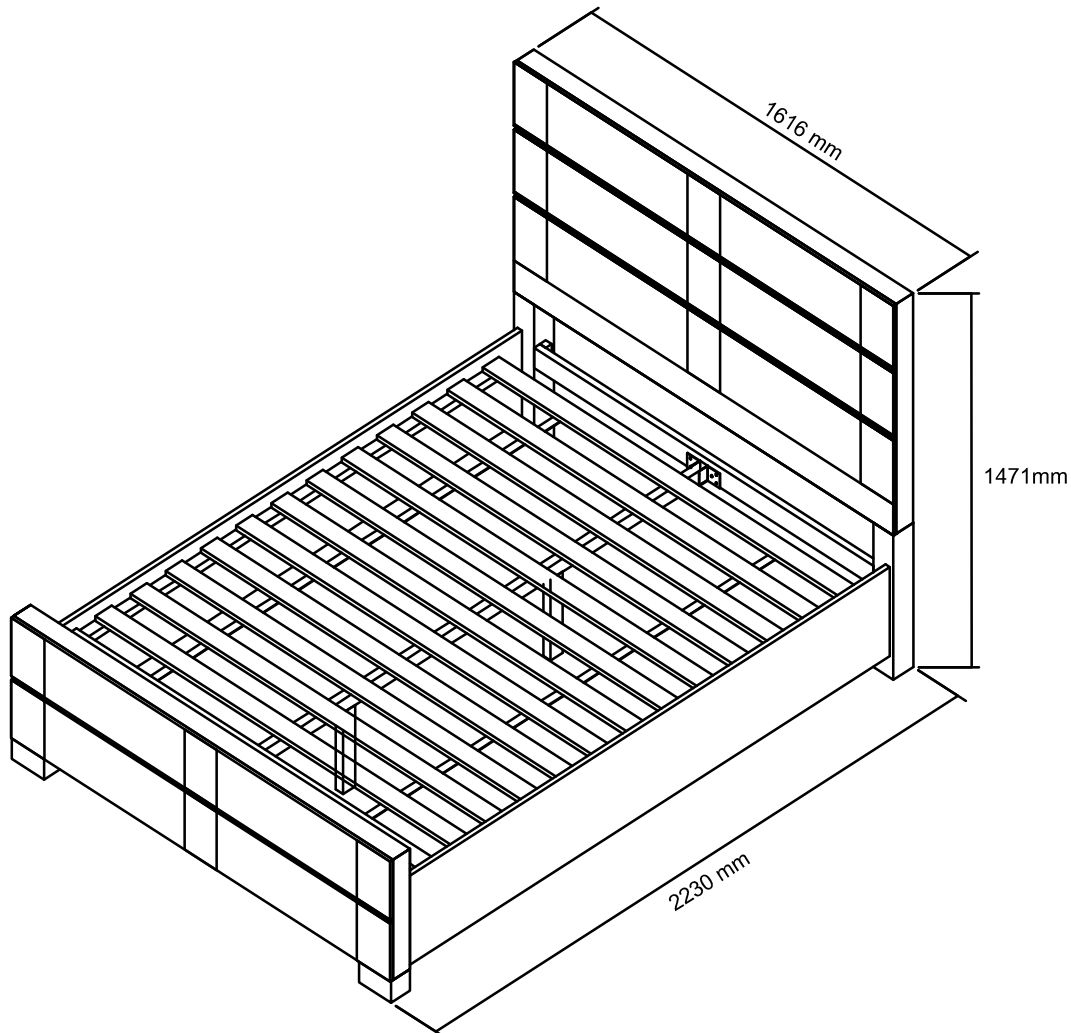


# Amart Furniture

**ASSEMBLY INSTRUCTION  
LANTANA QUEEN BED  
ITEM CODE - 65558**

Imported by Amart Furniture Pty Ltd, Qld, Brisbane Australia.  
for any assistance with assembly or for missing parts please phone  
Amart Furniture, Customer Service Freecall 1800 351 084



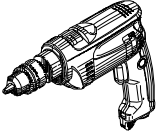




Imported by Amart Furniture Pty Ltd, Qld, Brisbane Australia.  
for any assistance to assembly or for missing parts please phone  
Amart Furniture, Customer Service Freecall 1800 351 084

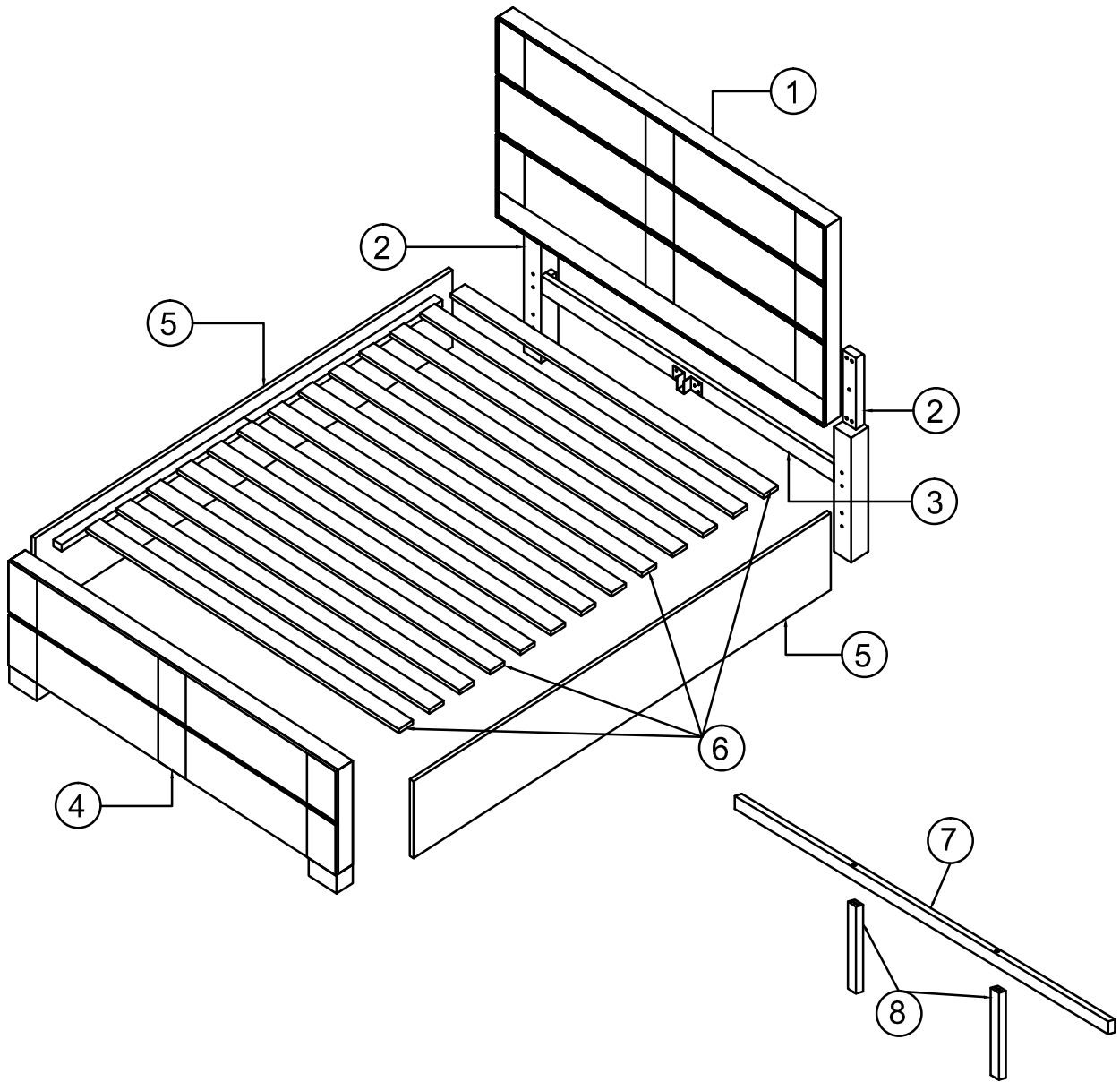
# PRE-ASSEMBLY PREPARATION










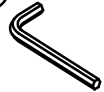
## BEFORE YOU START :

1. Choose a clean, level, spacious assembly area. Avoid hard surfaces that may damage the product
2. Take care when lifting. Product should be assembled as near as possible to the point of use
3. Ensure that you have all required contents for complete assembly
4. Always read the assembly instructions carefully before beginning assembly.
5. Keep all hardware parts and packaging out of reach of small children.
6. Do not over tighten the screws and bolts as this may damage the threads

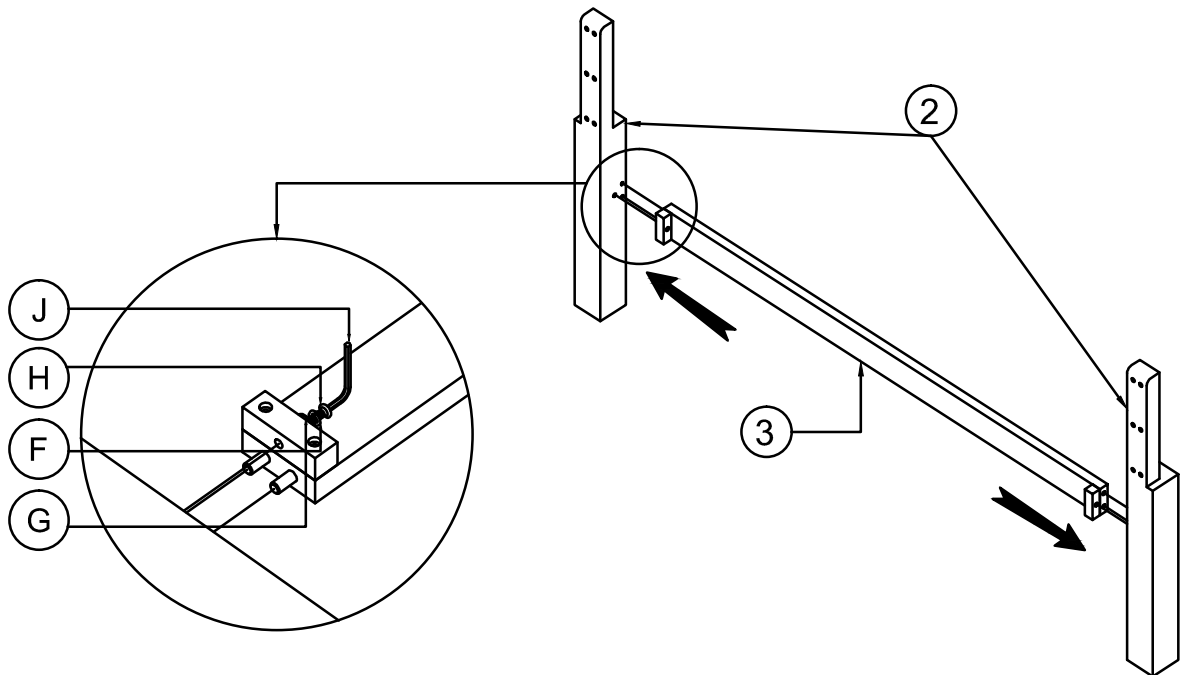
	
ALLOW 30 MINUTES	2 PEOPLE REQUIRED
  	We recommend using screw driver to put this item together. However if you choose to use a power drill it must be used on <b>LOW SPEED (LOW TORQUE)</b> as too much pressure could damage the product.
ADDITIONAL TOOLS REQUIRED	

# PARTS LIST



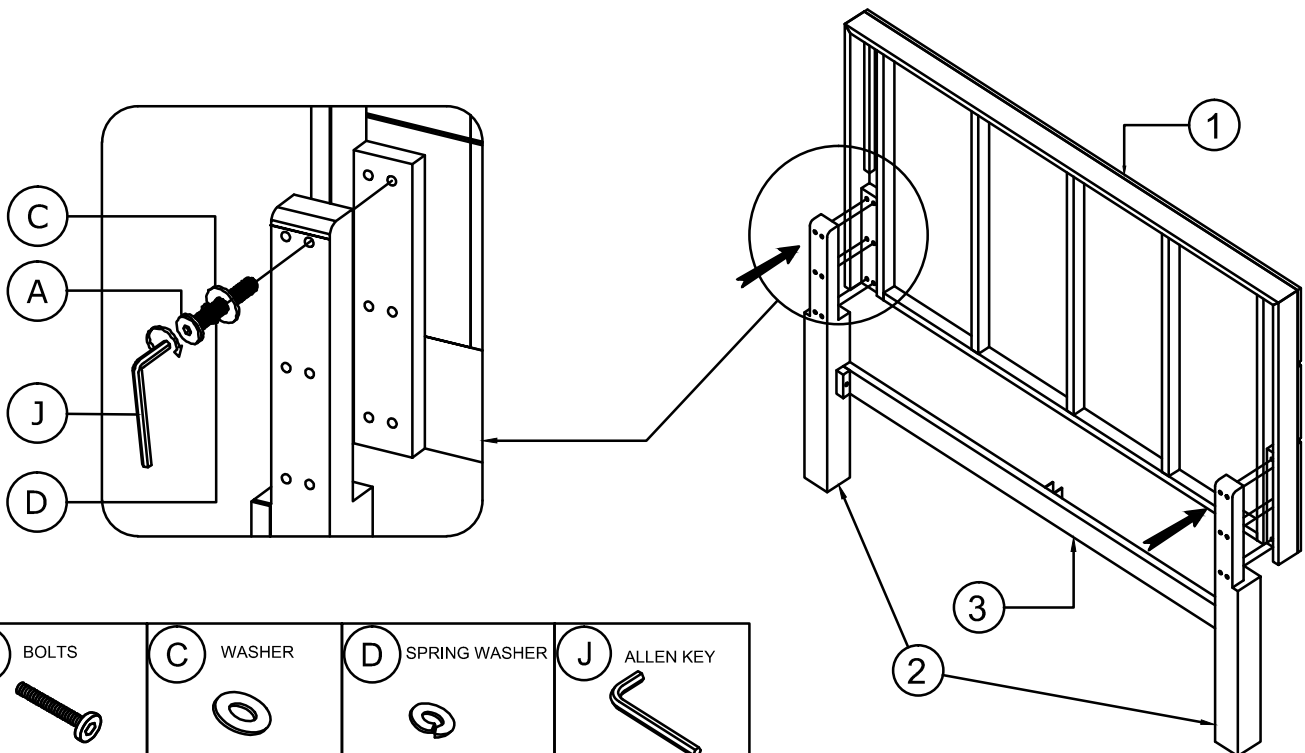
1	HEADBOARD	1PC	<b>A</b> BOLTS  M8x60: 12pcs	<b>B</b> BOLTS  M8x30: 16pcs	<b>C</b> WASHER  M8x2x19: 28pcs	<b>D</b> SPRING WASHER  M8x1.2x13: 28pcs	<b>E</b> DOWEL  Ø8X30: 4pcs
2	LEGS	2PCS	<b>F</b> WASHER  M6x2x19: 2pcs	<b>G</b> SPRING WASHER  M6x1.2x13: 2pcs	<b>H</b> BOLTS  M6X50: 4pcs	<b>I</b> SCREW  Ø4X30: 26pcs	<b>J</b> ALLEN KEY  M4X59: 1pc
3	BOTTOM STRETCHER	1PC					
4	FOOTBOARD	1PC					
5	SIDE RAIL	2PCS					
6	SLAT	13PCS					
7	CENTER RAIL	1PC					
8	SUPPORT LEGS	2PCS					

**Step 1 : Attach the legs (2) to the bottom stretcher (3) using bolts (H), washer (F), spring washer (G) and using allen key (J)**



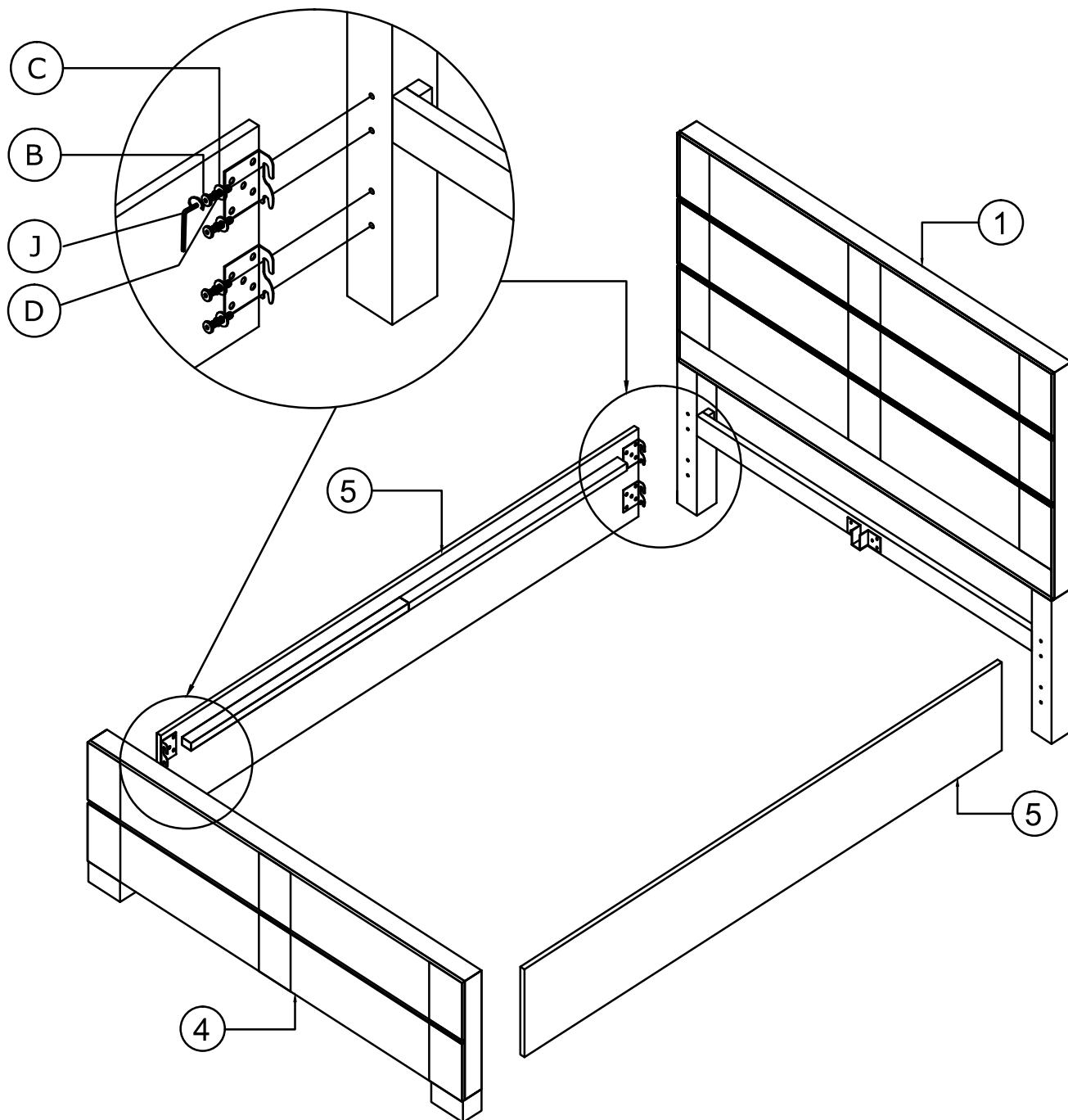
<b>H</b> BOLTS M6X50: 2pcs	<b>F</b> WASHER M6x2x19: 2pcs	<b>G</b> SPRING WASHER M6x1.2x13: 2pcs	<b>J</b> ALLEN KEY M4X59: 1pc
-------------------------------	----------------------------------	---	----------------------------------





**Step 2 : Attach the headboard (1) to the legs (2) and bottom stretcher (3), using bolt (A), washer (C), spring washer (D) and using allen key (J)**



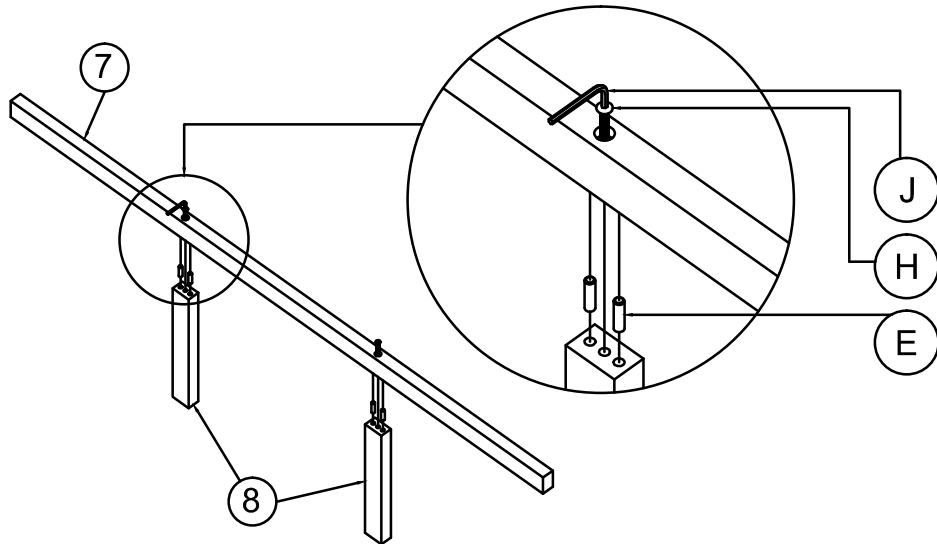
<b>A</b> BOLTS M8x60: 12pcs	<b>C</b> WASHER M8x2x19: 12pcs	<b>D</b> SPRING WASHER M8x1.2x13: 12pcs	<b>J</b> ALLEN KEY M4X59: 1pc
--------------------------------	-----------------------------------	--	----------------------------------



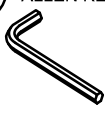
**Step 3 : Attach the side rail (5) to the headboard (1) and footboard (4) using bolts (B), washer (C), spring washer (D), and using allen key (J)**



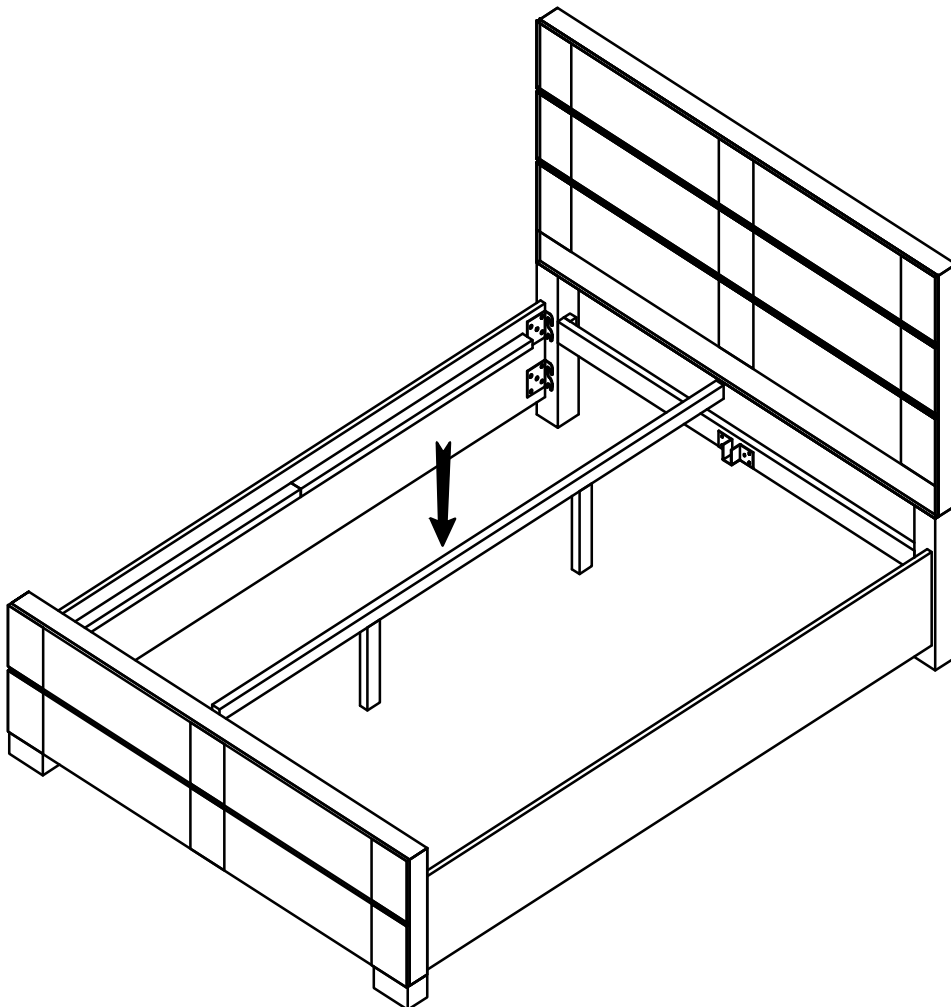
<p><b>B</b> BOLTS</p>  <p>M8X30: 16pcs</p>	<p><b>C</b> WASHER</p>  <p>M8x2x19: 16pcs</p>	<p><b>D</b> SPRING WASHER</p>  <p>M8x1.2x13: 16pcs</p>	<p><b>J</b> ALLEN KEY</p>  <p>M4X59: 1pc</p>
---	---	---	---

**Step 4 : Attach the center rail (7) to the support legs (8) using bolts (H), dowel (E) and using allen key (J)**



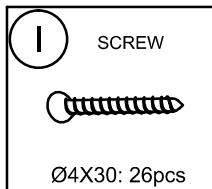
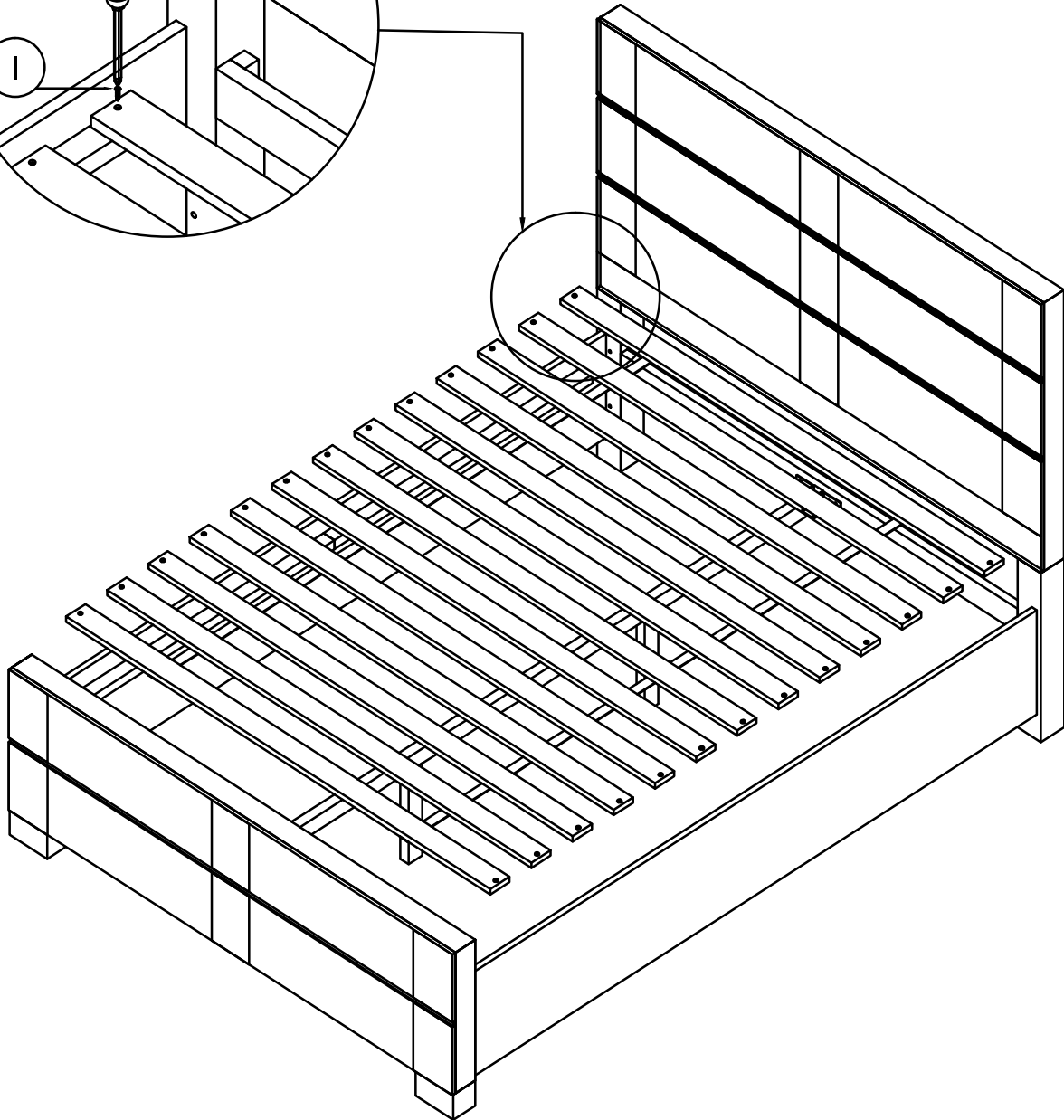
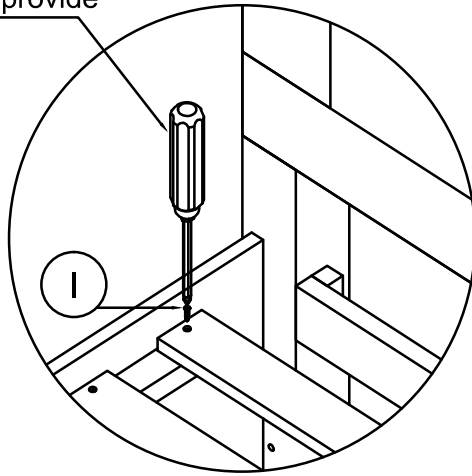
<b>E</b>	DOWEL	<b>H</b>	BOLTS	<b>J</b>	ALLEN KEY
					
Ø8X30: 4pcs		M6X60: 2pcs		M4X59: 1pc	

**Step 5 : Slot the Central Rail(7) with support legs(8) into the bracket**

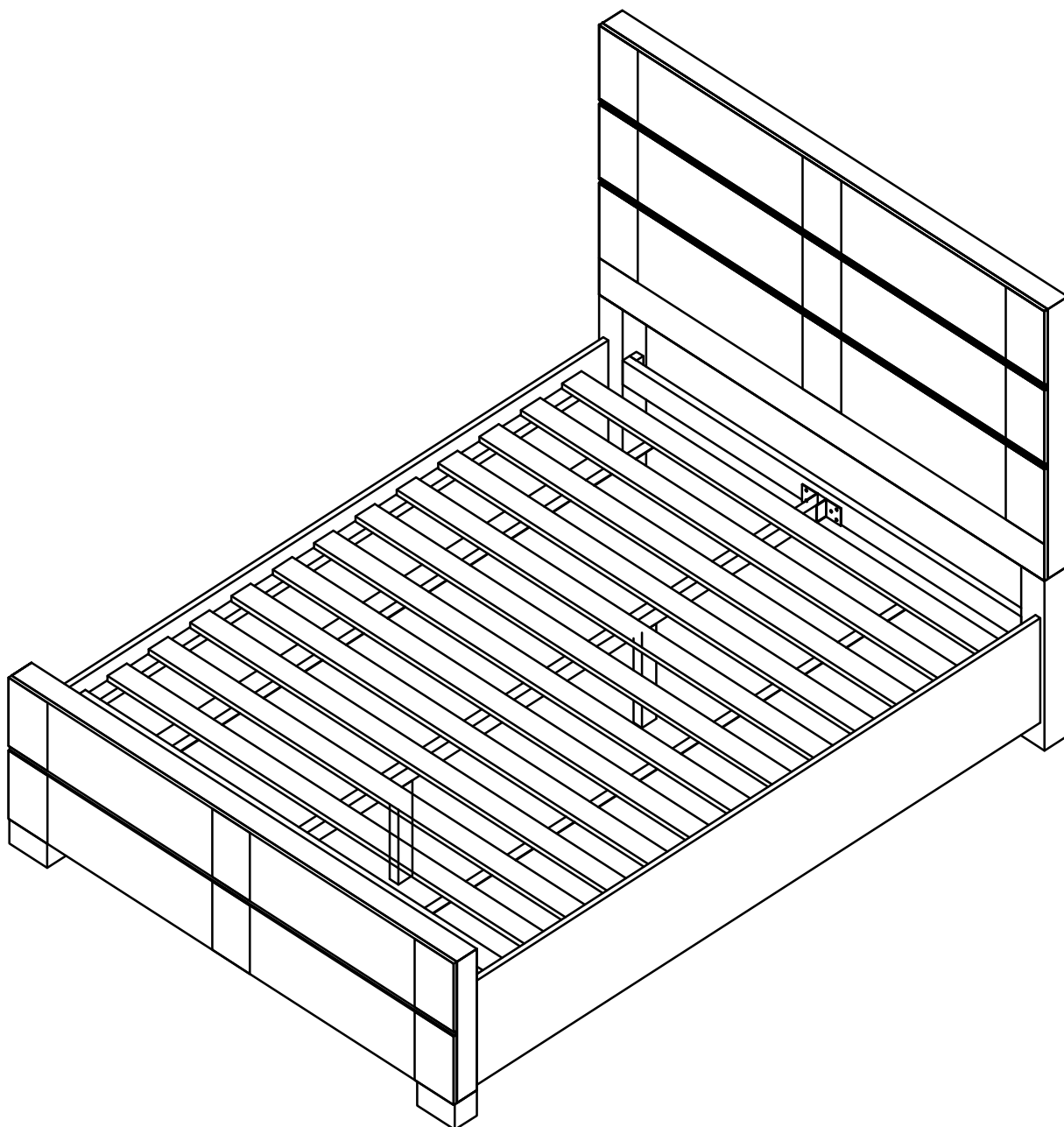


**Step 6 : Attach the slats (6) to the siderails (5) with screws (I)  
tighten the screws**

Not provide



# ASSEMBLY COMPLETE



**CAUTION:**

ALWAYS LIFT YOUR BED WHEN MOVING/RELOCATING - DO NOT DRAG.  
DRAGGING CAN CAUSE THE CENTRE SUPPORT LEGS TO BEND/BREAK.



As our timber is supplied from sustainable forests there will be natural variations in surface texture and grain like knots, mineral streaks and sap runs that may affect the finish. These differences in character are not defects, but distinctions that make each piece of furniture unique

Our furniture is built to last. Following these steps for basic care should protect your investment for years to come

- Dust frequently with a clean damp lint-free cloth. This will help remove abrasive build up which can damage a finish over time
- Do not place hot objects on any furniture surface. Always use a hot plate or placemat. Laminate and lacquer finishes on table tops provide added scratch and heat resistance to our furniture, but they can still be damaged without proper care
- Avoid exposing your furniture to strong sunlight, heat outlet, open windows or dampness. Prolonged exposure to direct sunlight can fade the finish of your furniture, while extreme temperature and humidity changes can cause cracking or splitting
- Do not expose your furniture to any liquids. Never allow water to sit on your furniture. Alcohol, nail polish and perfume are also dangerous as they will dissolve the lacquer finish on contact and may require professional repairs
- Do not allow plastic to come in direct contact with your furniture. Chemicals in the plastic of placemats etc. may soften and mark the finish if left in contact with the furniture for a period of time